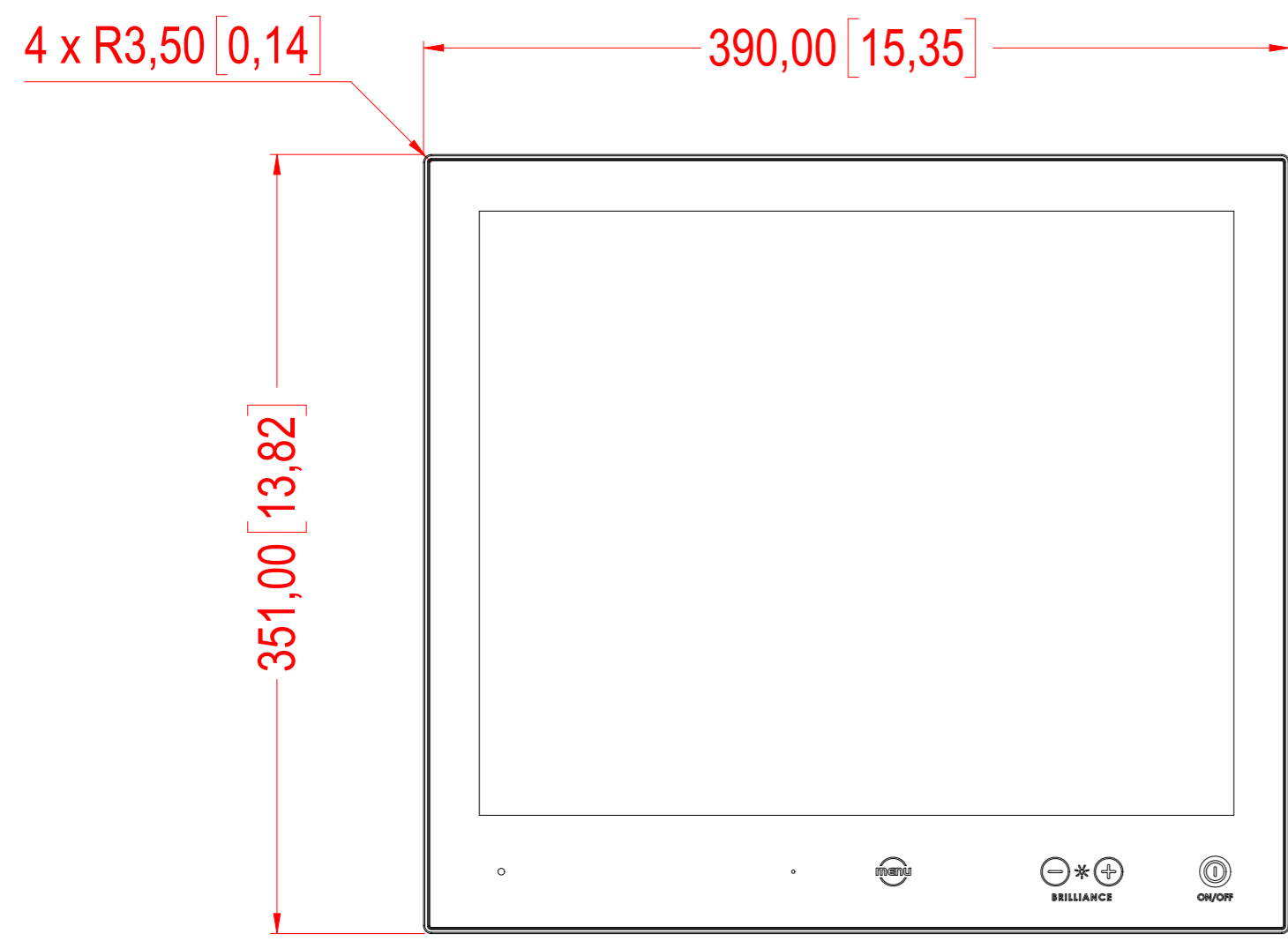


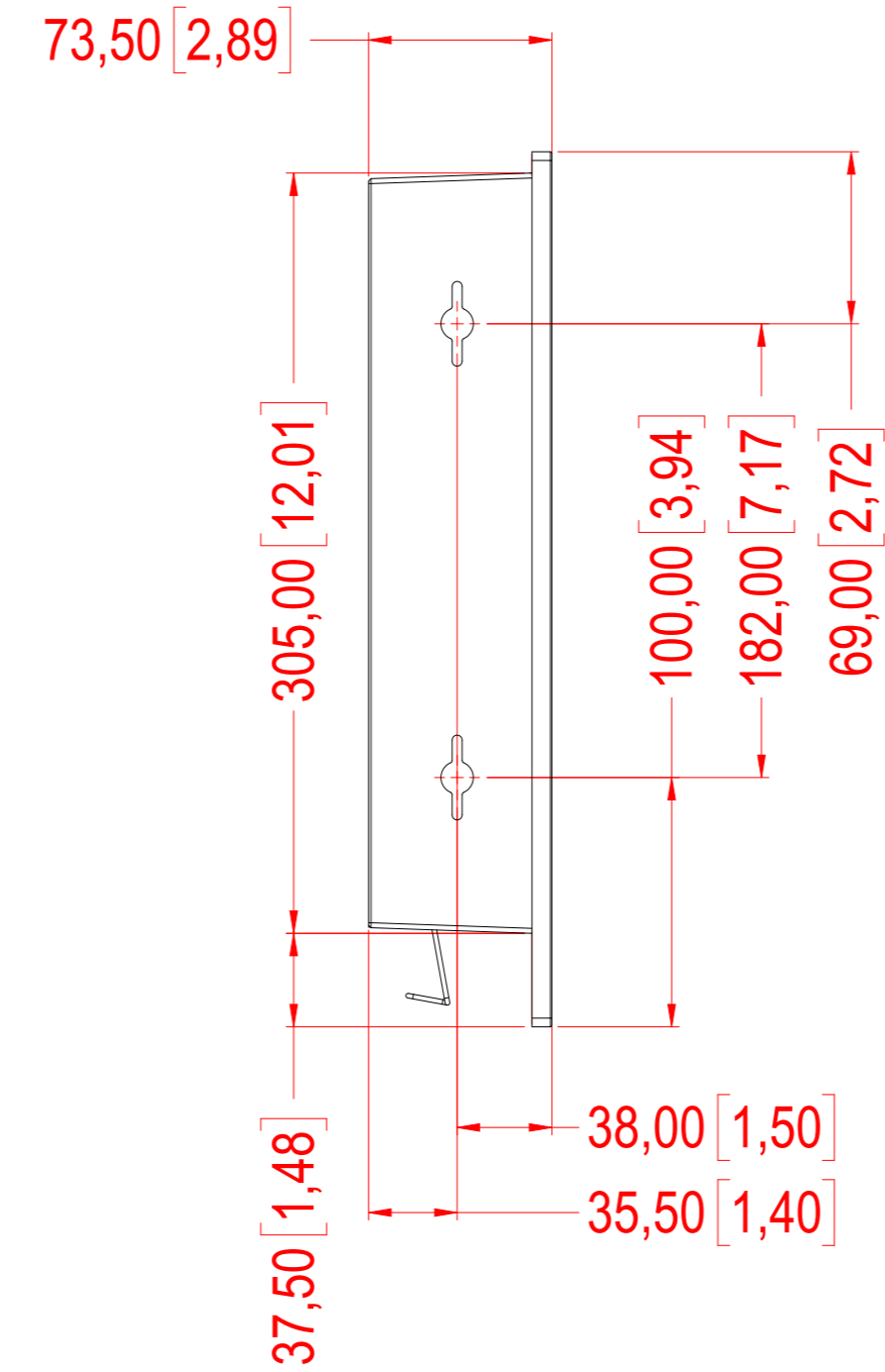
This document is the property of Hatteland Technology AS.
 This document and any authorized reproduction thereof, must not be used in any way against the interest of Hatteland Technology AS.
 Any authorized reproduction, in whole or in part, must include this legend.

HATTELAND TECHNOLOGY STANDARD		Created by:	Date:	Model by:	Date:	Revised:
Material type and quality:		4791	23-09-2024	7291	14-03-2024	2
Aluminum 5052, standard EN 4852 (1 & 2)		Surface treatment:				
Ss-316 ALU/ZN, standard EN 10219 (1)		(1) TRAKATION (Zinc/Magnesium Phosphating)				
Stainless Steel AISI 316 L, standard EN 1404		(2) Powder coating RAL 9011 EPOXY STRUCTURE Du Pont EP9301-4693327				
Working specification		Tolerance:				
NS-EN-288-4		ISO 2768-1 mcdkl				
Sheet metal fasteners:						
PSM International or equivalent (www.psminternational.com)						

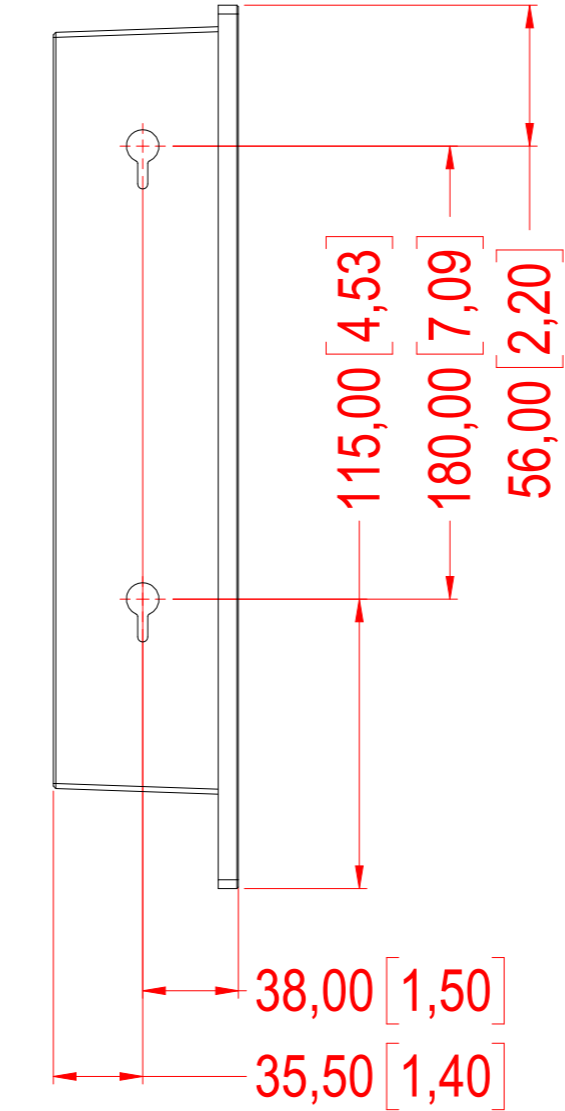
FRONT VIEW



SIDE VIEW Double keyholes

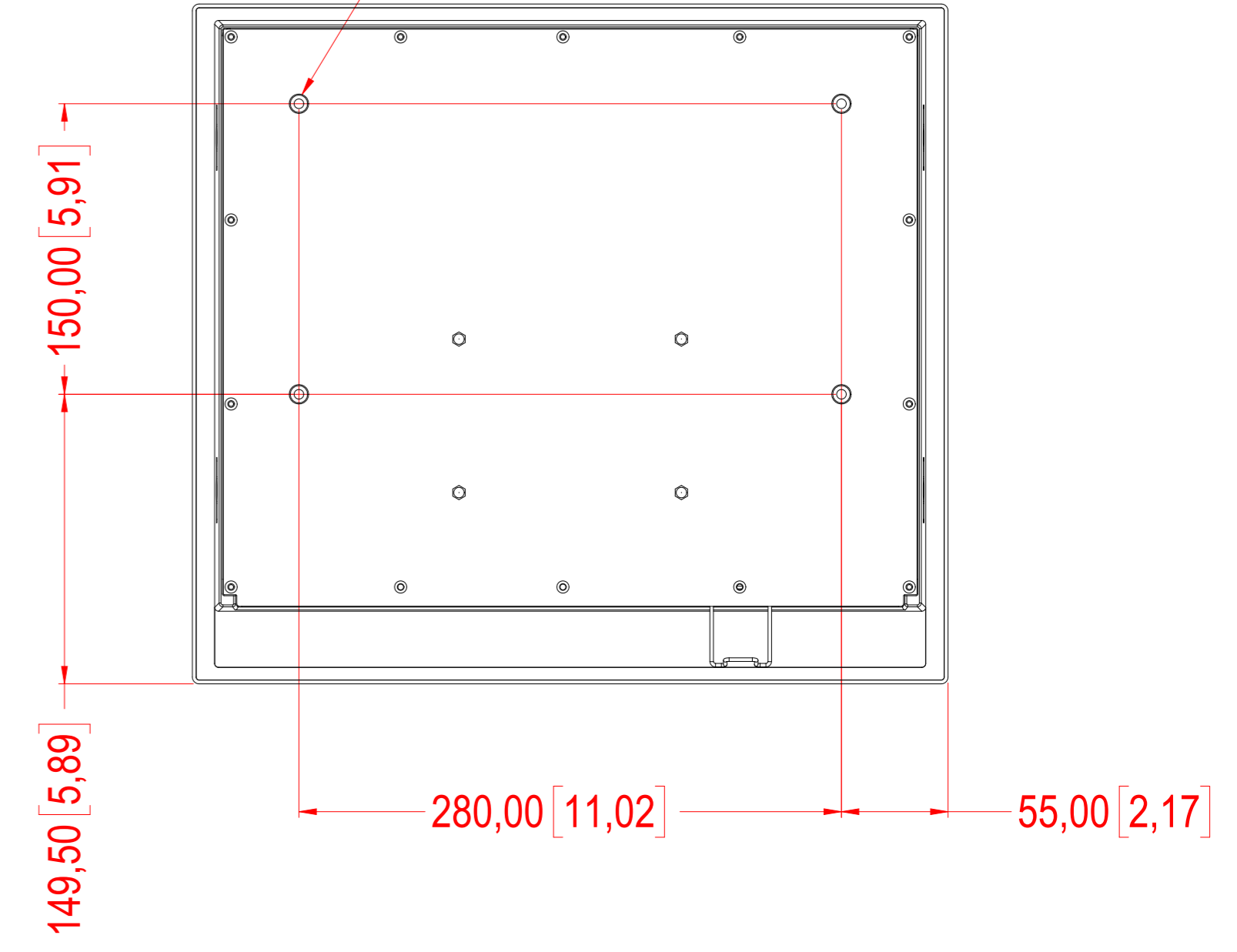


SIDE VIEW Single keyholes

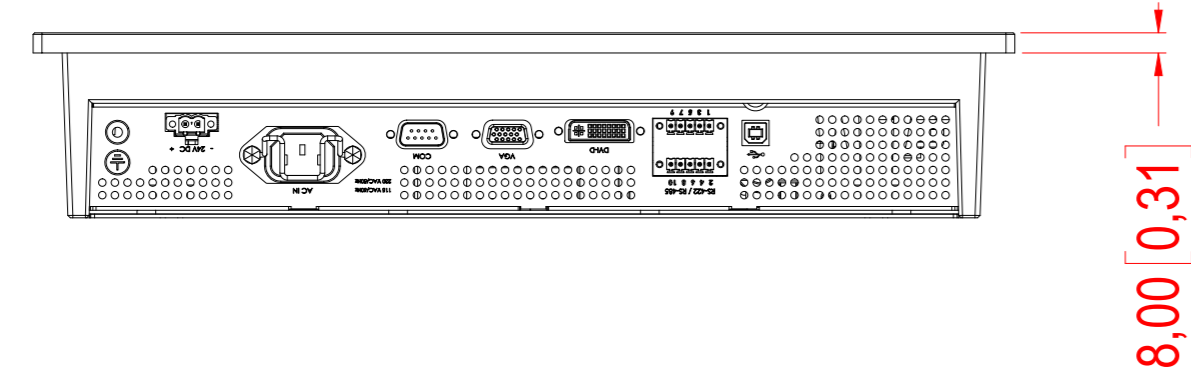


BACK VIEW

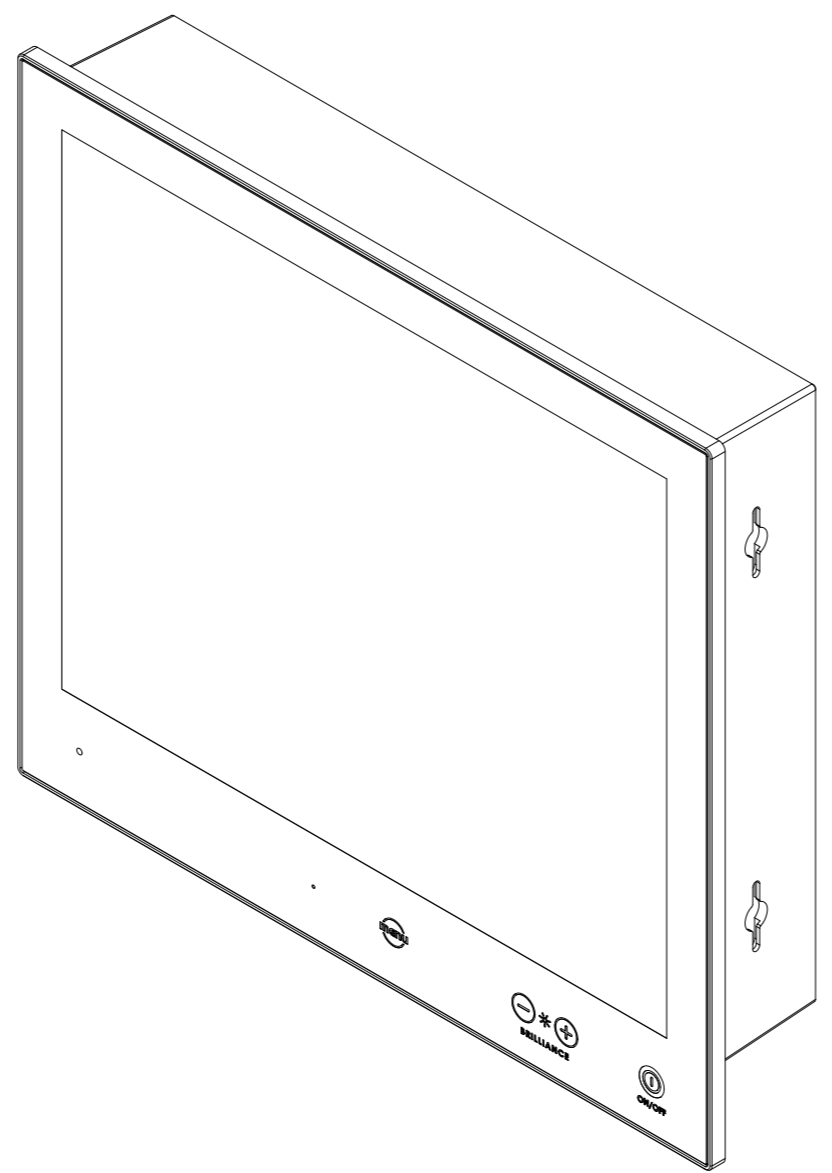
4 x M6 Vesa mounting
Max 12 mm deep



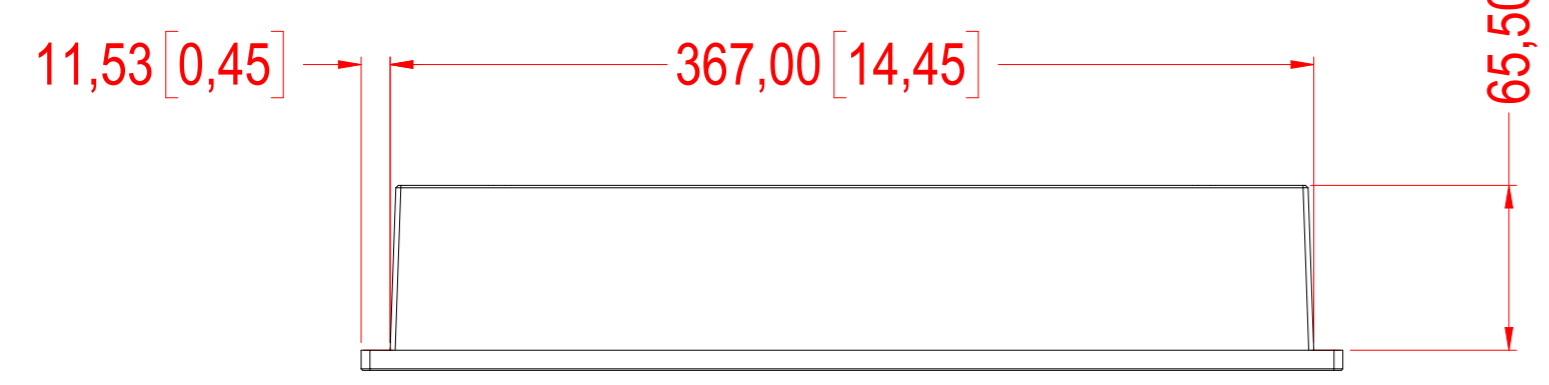
BOTTOM VIEW



DIMETRIC VIEW

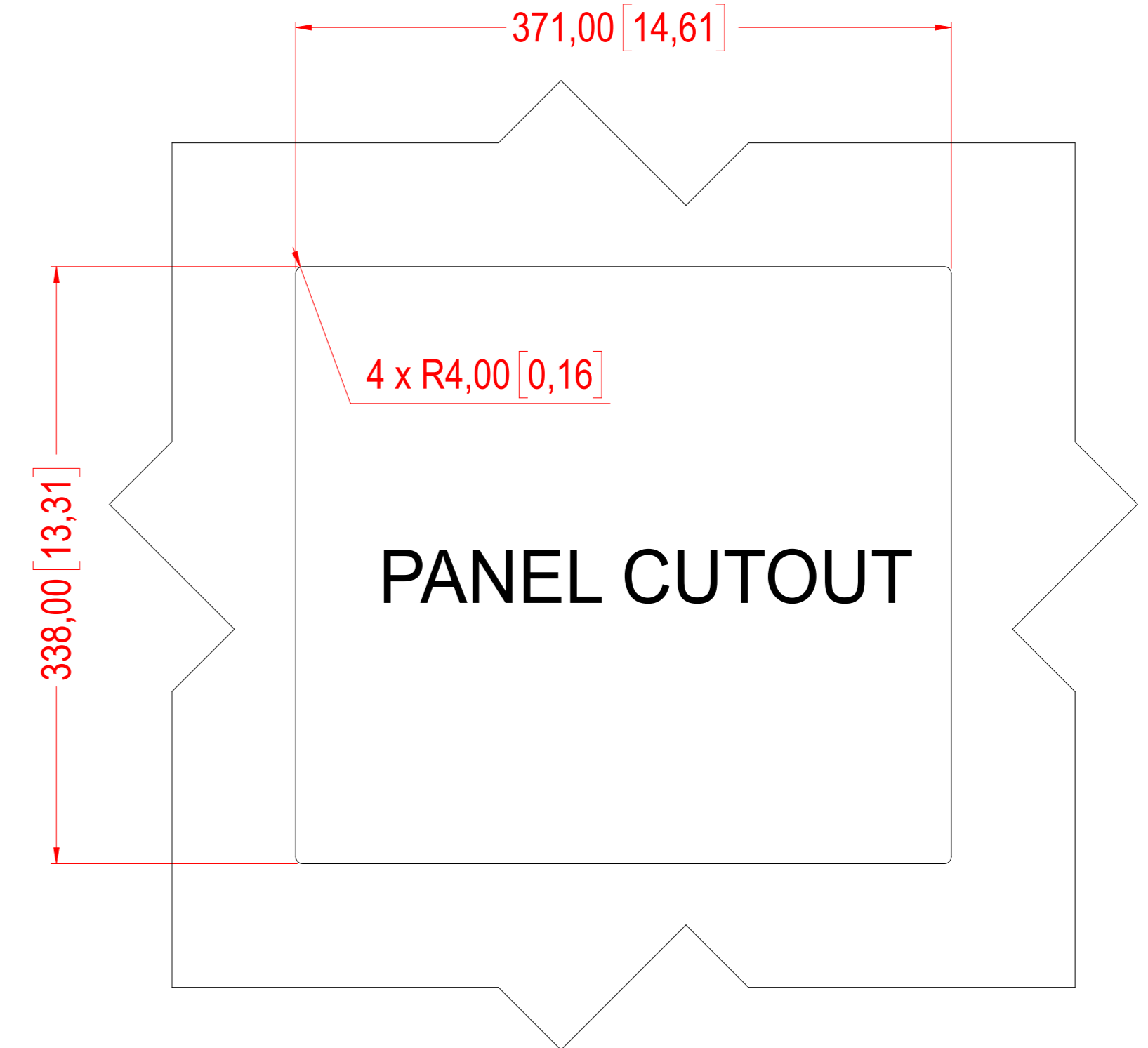


TOP VIEW



4 x R4,00 [0,16]

PANEL CUTOUT



Units: mm [inches]

SALES DRAWING HD 17T21 STD-MA1-FAGA
 model shown in this drawing, but measurements generally apply for all HD 17T21 STD-xxx-Fxxx models

Date:	Mechanical Design	Projection:	A1	HATTELAND TECHNOLOGY an EMBRON Company	
			Scale: 1:3	Colour code:	Approved by:
Hatteland Technology AS Eikeskogvegen 52 N-5570 Aksdal			Surface treatment:	Drawing number:	Revision:
				A002498-1	